



SA130B-XXU

www.sac-ontop.com.tw

30W Switching Adapter

Input

Rated Voltage	100 - 240 VAC
Max. Voltage	90 - 264 VAC
Line Frequency	47 - 63 Hz
Current	1000mA at 100-240VAC
Configuration	IEC-320, C8 2PIN

Output

Model Name	Voltage	Current	Watt	Efficiency
SA130B-09U	9V	3.0A	27W	75%
SA130B-12U	12V	2.5A	30W	78%
SA130B-15U	15V	2.0A	30W	80%
SA130B-24U	24V	1.25A	30W	80%
SA130B-27U	27V	1A	27W	80%
Line Regulation	Less than $\pm 2\%$			
Load Regulation	Less than $\pm 5\%$			
Protections	OCP, OVP & Short circuit			
Ripple & Noise	$\leq 100\text{mVp-p max. for 9V}$ $\leq 1\% V_o$ (for 12V, 15V, 24V, 27V)			

Environment

Operating Temp.	0°C - 40°C
Storage Temp.	-20°C - 80°C
Operating Humidity	10% - 90% (Non-condensing)
RoHS & WEEE	Standard

Reliability

MTBF	50,000 hrs (by MIL-217 Standard)
Safety	ITE: UL, CSA, TUV, CB, CE (for 9V, 12V, 24V, 27V)

Others

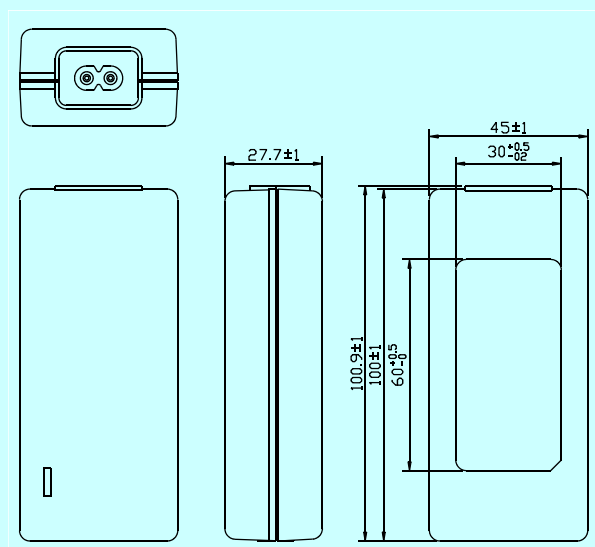
Package	60 pcs/box
Min. Order	1K pcs/lot
Warranty	1 year

Electrical

Topology	Switching Mode
Hi-Pot	3000 Vac/1sec @ 5mA (primary - secondary)
Leakage Current	$\leq 0.25\text{mA}$, at 264VAC/50Hz
Hold Up Time	≥ 8 mSec
Standby Power	≤ 0.3 Watt
EMI	Complies with EMI directives
Energy Star Requirement	EPS 2.0 (Efficiency Level V)
ErP Requirement	Efficiency Level : Stage 2
MEPS Requirement	Efficiency Level: V

Mechanical

Case Size	100L x 45W x 27.7H mm
Case Material	Black, 94V-1 or equivalent
Weight	177 \pm 10g
DC Cord	4.92ft
LED Indicator	Option



For reference only. For details please contact your local sales representative.